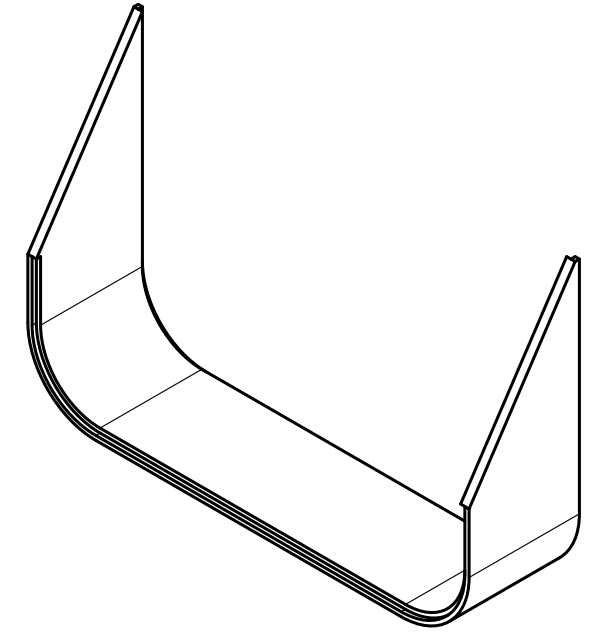
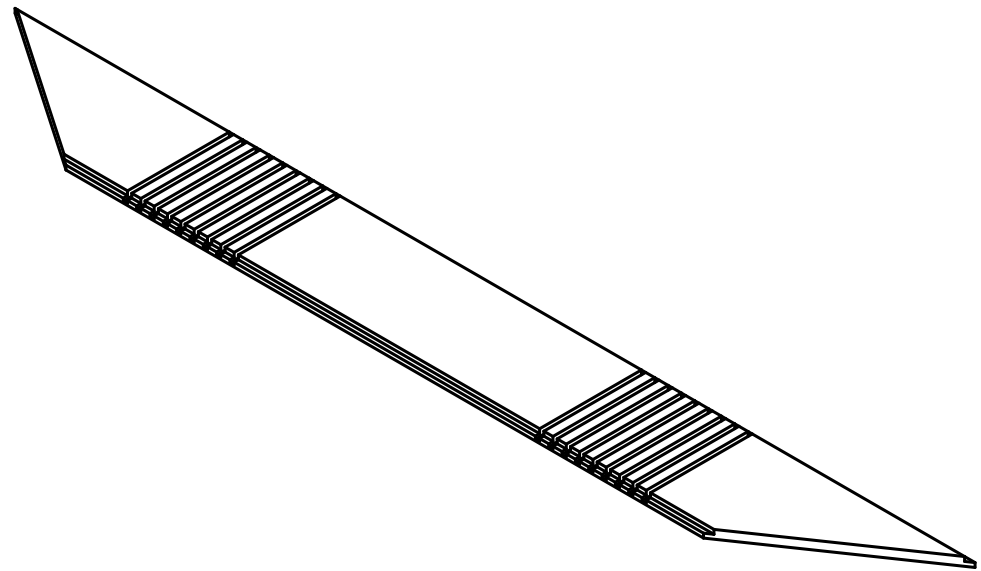


UNLESS OTHERWISE SPECIFIED,
DIMENSIONS ARE IN INCHES

TITLE	Ski holder for bike rack		
SCALE	1:4	AUTHOR	Luke Kubasta
		SHEET	1 of 2



BENT PIECE (FLATTENED)
(1/4" PLYWOOD)

BENT PIECE (AFTER BENDING)
(1/4" PLYWOOD)
**kerf cuts not shown*

1/8"x1/8"
rabbet

